

RAVENSCROFT BSD (SERIES 2) FIRE DAMPER CONCRETE/MASONRY



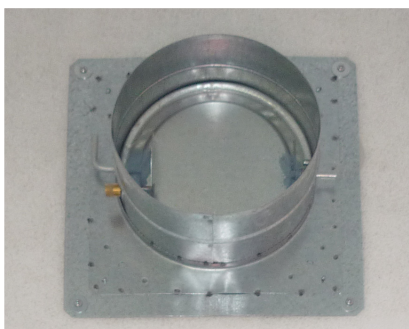
The Ravenscroft BSD (Series 2) Fire Damper has many advantages over traditional fire dampers:

- Meets the latest standards
- Fast installation
- No separate balancing damper or duct access hatch required
- Custom lengths on request
- Plasterboard wall version available
- Stainless steel version

The Ravenscroft BSD (Series 2) Fire Damper is an upgraded version of the trusted Ravenscroft BSD Fire Damper, which is already well known for its easy installation and maintenance. The BSD2 meets the Australian and New Zealand standards (AS.1530.4-2014) and has been proven to have a very low air leakage rate.

The Ravenscroft Fire Damper for concrete/masonry (also known as BSD-C) is similar to the Ravenscroft plasterboard wall fire damper, but without the insulated sleeve. It is supplied with one fixed flange only that allows it to be centred and fixed to one side of the wall or ceiling prior to final sealing.

The concrete/masonry version is available for installation in Concrete and Concrete Block wall or floor fire separations. For installation in other wall/floor types, please contact Ravenscroft for advice.



The BSD2 has the same benefits as the original BSD fire damper. It combines a balancing damper and fire damper enabling a fast installation. These fire dampers are rated up to 2 hours. Fuse release is external therefore damper is easily activated and reset during building maintenance checks. No duct inspection hatch is required to check either the damper operation or the fuse.



To see the quick and easy damper installation yourself, visit ravenscroft.co.nz/index.php/video to view the damper installation comparison video!

RAVENSCROFT BSD (SERIES 2) FIRE DAMPER CONCRETE/MASONRY

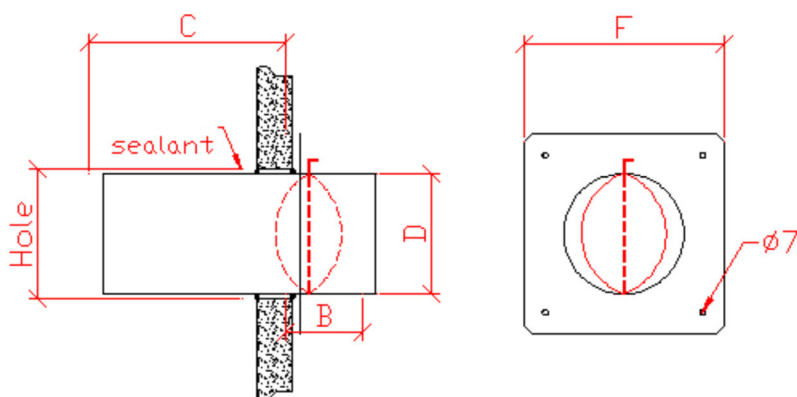
INSTALLATION

The Ravenscroft Fire Damper for concrete/masonry is a fire rated damper that, when installed as per the manufacturers instructions, will maintain the integrity of concrete firewalls or floors for up to 2 hours.

The Ravenscroft Fire Damper for concrete/masonry is a combined balancing and fire damper. It can function as a manual reset smoke damper if one of the release alternatives are selected.

Flexible ductwork connectors must be used to separate rigid ducting from the damper. These prevent excess force being transferred to the wall or ceiling mounting in the advent of ductwork deformation or collapse during a fire or earthquake.

The damper can easily be tested and preset with the indicator handle from outside the duct. Duct access panels are not required.



BSD-C	D	Hole	B	C	F
125	124	135	95	245	180
150	149	160	95	245	210
175	174	185	95	245	230
200	199	210	95	245	255
250	249	260	95	245	300
300	299	310	155	245	370
400	399	410	155	245	480

APPROVAL

The Australian & NZ Building Codes require fire dampers to comply with AS 1682 Part 1 & 2, and AS1530.4 as the Acceptable solution.

The BSD-C Series 2 complies with the Australian & NZ Building Codes as an Acceptable solution.

Verification as follows:
WarringtonFire test report FRT200201 and WarringtonFire assessment report FAS200328, results confirm the mounting system for the BSD-C Series 2 will provide an FRL of -/120/- according to AS1530.4-2014.

RELEASE ALTERNATIVES

Alternative means of release are available on application. These include e.g. specially designed Belimo spring-return actuators and heat release sensors.

SOUTH ISLAND SALES

Ravenscroft
03 389 2231
www.ravenscroft.co.nz

NORTH ISLAND SALES

Pacific Ventilation
0800 100326
www.pacificventilation.com